

Model M-3100
Model M-3200

ADG

AUTOMOTIVE SERVICE EQUIPMENT
EXCELLENCE BY DESIGN



- Bright LED weight display panel is integrated into the weight tray. Features simple intuitive controls, accurately indicates weight placement.



- Industrial 40mm Daimeter shaft with standard Speed nut and captured back spring for the ultimate in speed and versatility.



- Model M-3200 offers the ability for the technician to program in whether they prefer to apply weights 3:00, 6:00 or 12:00 on the wheel. Balancer automatically recalculates amount dependent on what is easier for the technician. Optional weight holder clip arm is available to assist in tape weight placement.



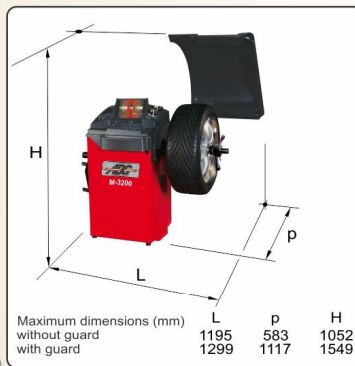
- Standard safety hood accommodates tires up to 44" diameter

- Optional wheel lift easily raises Tire/Wheel combinations up to 150 lbs to the balancer shaft height, eliminating the risk of technician back strain.



- Optional motorcycle mounting adapter handles a wide range of scooter & motorcycle wheels

Dimensions



Technical Specifications

	M-3100/3200
Balancing speed	90/130 rpm
Resolution	1 g (0,0353 oz)
Average measuring time	7s
Shaft diameter	40 mm 1,57
Rim width setting range	1,5 / 20
Rim diameter setting range	1 / 35
Rim diameter measurable with the sensor	11 / 28
Maximum wheel width (with guard)	600 mm (23,5)
Maximum wheel diameter (with guard)	1117 mm (44)
Maximum wheel/machine distance	275 mm (11)
Maximum wheel weight with fixing to the ground	75 kg / 165 lbs
Maximum wheel weight with support tool	50 kg / 110 lbs
Supply voltage	100-115/200-230v 1 ph / 50-60 Hz

Distributed by



Model 3100 is a manual parameter entry balancer offering reliability and simplicity for the lower volume shop

Model 3200 is a two parameter Auto Entry balancer with more advanced weight placement options for the higher volume shop

Premium Italian Manufactured Professional Service Equipment
Distributed and Supported Exclusively by the members of The Automotive Distributions Group, Inc.

www.ADGEquipment.com | 800-497-0009

www.ADGEquipment.com | 800-497-0009