



Turf Lift

The BEST Solution to Turf Maintenance Productivity

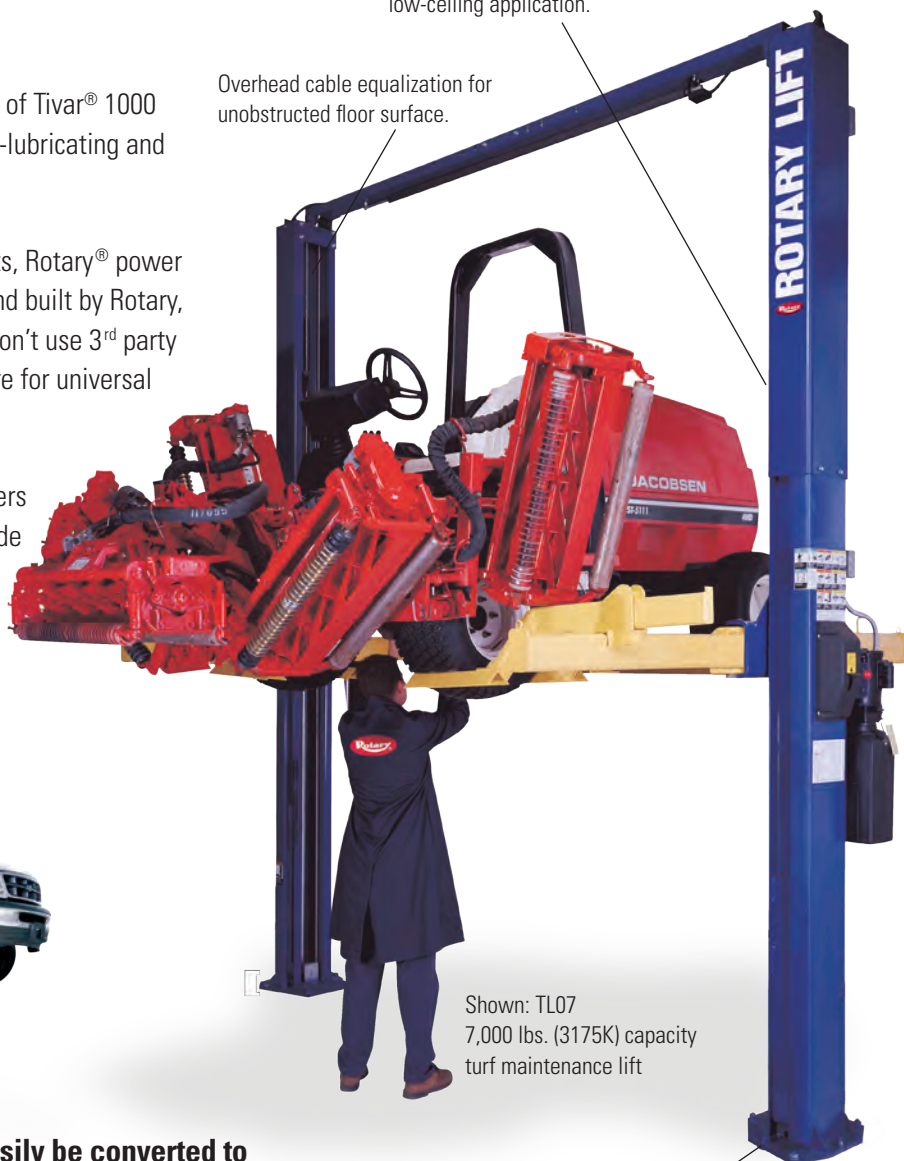
Productivity Features

- The "Double S" single piece construction column design provides a channel for the bearings to travel that maximizes the strength of the column and surface contact area of the bearing
- Slider block bearings of Tivar® 1000 polyethylene are self-lubricating and maintenance free
- Unlike most other lifts, Rotary® power units are designed and built by Rotary, for Rotary lifts. We don't use 3rd party power units which are for universal applications
- High-pressure cylinders in each column provide maximum lifting force and smooth operation



Column extensions can also be adjusted downward for low-ceiling application.

Overhead cable equalization for unobstructed floor surface.



Shown: TL07
7,000 lbs. (3175K) capacity
turf maintenance lift

Low-profile column base minimizes floor obstructions.



Our TL07 can easily be converted to lift passenger cars and light trucks.

Convert this lift to raise cars and light trucks with optional N2206 arm conversion kit (7,000 lbs. (3175kg) capacity)

ROTARYLIFT

Benefits

- Highest rise available in the market with extended height models
- Can accommodate a 30" (762mm) wheelbase vehicle
- Lift capacity to handle the largest mowers
- Versatile small wheel attachment
- Lift can accommodate both three and four-wheel turf equipment
- Can also be used for golf cart maintenance
- Wheel engaging - chocks wheels automatically
- Unique design permits easy access to reels and hydraulic systems
- Two cylinder design for greater dependability and smoother operation

Specifications	TL07	TL07-EH2	TL07-EH4
A. Rise*	68" (1727mm)	71" (1803mm)	71" (1803mm)
B. Height Overall**	11' 8" (3556mm)	13' 8" (4166mm)	15' 8" (4776mm)
C. Width Overall** (outside of base plate)	11' 5 5/8" (3496mm)	11' 5 5/8" (3496mm)	11' 5 5/8" (3496mm)
D. Drive-Thru Clearance	91 1/2" (2324mm)	91 1/2" (2324mm)	91 1/2" (2324mm)
E. Floor To Overhead Switch	11' 2 3/4" (3423mm)	13' 2 3/4" (4032mm)	15' 2 3/4" (4642mm)
F. Min. Wheelbase	30" (762mm)	30" (762mm)	30" (762mm)
G. Max. Wheelbase	88" (2235mm)	88" (2235mm)	88" (2235mm)
H. Fork Length	12 7/16" (316mm)	12 7/16" (316mm)	12 7/16" (316mm)
I. Min. Inside Tires	20 1/2" (521mm)	20 1/2" (521mm)	20 1/2" (521mm)
J. Extended Width	13' 9" (4191mm)	13' 9" (4191mm)	13' 9" (4191mm)
K. Inside Columns	114 1/2" (2908mm)	114 1/2" (2908mm)	114 1/2" (2908mm)
L. Cylinder Height (Full Rise)	11'10 3/4" (3626mm)	12' 4 3/4" (3778mm)	12' 4 3/4" (3778mm)
Lifting Capacity	7000lbs. (3175kg)	7000lbs. (3175kg)	7000lbs. (3175kg)
Motor	2 HP	2 HP	2 HP
Voltage Single Phase †	208v-230v	208v-230v	208v-230v

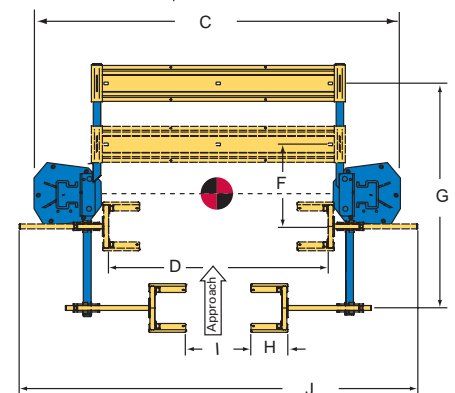
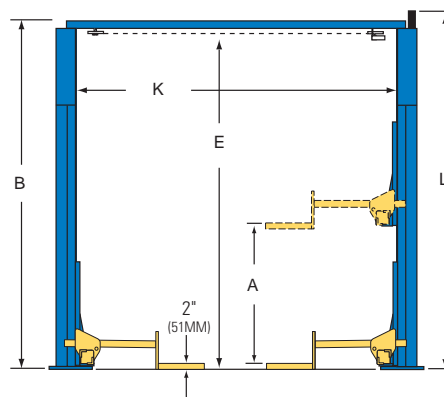
* Rise is measured with adapter in highest position.

** Overall heights and widths reflect standard settings. Alternate settings may be available, refer to Installation Instruction Manual or consult factory for details.

† Optional 3 phase electrical available.

Options:

- Our TL07 can easily be converted to lift passenger cars and light trucks.
- N2206 - Arm kit for passenger cars and light trucks. (7,000 lbs. (3175kg) capacity)
- FA5911 - Air/electric utility box with filter/ lubricator/ regulator.



Rotary World HQ
2700 Lanier Drive
Madison, IN 47250, USA
www.rotarylif.com

North America Contact Information
Sales: p 800.640.5438
f 800.578.5438
e userlink@rotarylif.com
Tech. Support: p 800.445.5438
f 800.822.6502
e userlink@rotarylif.com

World Wide Contact Information
World HQ/USA: 1.812.273.1622
Canada: 1.905.812.9920
European HQ/Germany: +49.771.9233.0
United Kingdom: +44.178.747.7711
Australasia: +60.3.7660.0285
Southern Africa: 1.812.273.1622
Latin America/Caribbean: 1.812.273.1622
Middle East/Northern Africa: +49.771.9233.0

