

**ASYMMETRIC LIFTS** PERFECT DESIGN FOR CARS and LIGHT TRUCKS

**SPOA7** 7,000 LBS. CAPACITY  
QUICK SERVICE PAD LIFT



Available with SHOCKWAVE™

Get The Quick Jobs In And Out With This Quick Service Pad Lift!

- Drive-over pad allows vehicles to be spotted quickly and accurately
- ALI Gold Certified

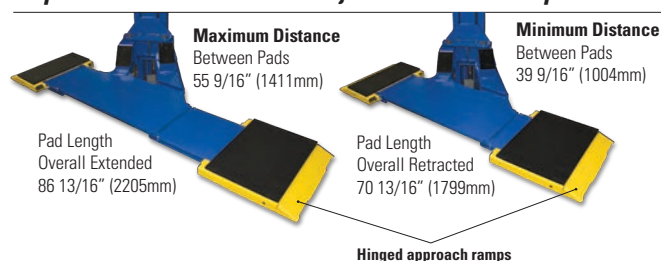
The quick service pad lift includes time saving features that help get your customers in and out fast with efficient routine service. The ultra-low profile, easy to adjust pad minimizes drive-over clearance and allows vehicles to be spotted quickly, easily and accurately.



Rubber spacer blocks provide additional clearance when needed.

4 spacer blocks are included with lift

Improve vehicle reach with adjustable drive-over pads



**AT07** 7,000 LBS. CAPACITY  
SPACE SAVING TWO POST LIFT

Asymmetric two-post lift designed for maximum drive-thru clearance with minimal external dimensions.

- Over 14" narrower than standard two post lift
- Can be entered from either side
- ALI Gold Certified

30° rotated column design of the posts and supporting arms provides a spacious pick-up area and allows for greater open door clearance.



Stackable adapters and storage rack included

Available with SHOCKWAVE™

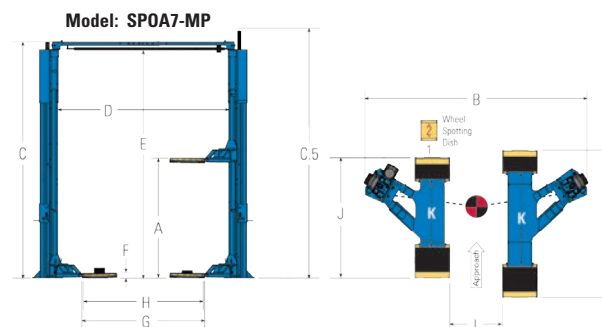


Model:	SPOA7-MP
WITH SHOCKWAVE	SPOA7-MPSW
Lifting Capacity	7,000 lbs. (3157kg)
Lifting Capacity (per platform)	3,500 lbs. (1588kg)
A. Rise*	74"-77" (1880-1956mm)
B. Width Overall**	11' 5 3/8" (3489mm)
C. Floor to Top of Overhead	Standard 11' 8 1/2" (3569mm)
	EH1 12' 8 1/2" (3874mm)
	EH2 13' 8 1/2" (4178mm)
C.5 Cylinder at Full Rise	Standard 11' 10 3/4" (3625mm)
WITH SHOCKWAVE	12' 4 3/4" (3778mm)
D. Width Between Columns	107" 1/4" (2724mm)
E. Floor to Overhead Switch	11' 2 3/4" (3423mm)
F. Drive Over Clearance	2 5/8" (67mm)
G. Drive-Thru Clearance	79" (2007mm)
H. Outside of Pad to Outside of Pad	78 1/2" (1994mm)
I. Inside of Pad to Inside of Pad	37 1/8" (968mm)
J. Pad Length Overall Retracted	70 13/16" (1799mm)
J. Pad Length Overall Extended	86 13/16" (2205mm)
K. Minimum Distance Between Pads	39 9/16" (1004mm)
	Maximum Distance Between Pads
Motor Performance	2hp
WITH SHOCKWAVE	5hp
Voltage Single Phase***	208/230v
WITH SHOCKWAVE	110v
Time of Rise	45 seconds
WITH SHOCKWAVE	25 seconds
Ceiling Height Required:	12' (3658mm)
WITH SHOCKWAVE	12' 6" (3810mm)
Min. Bay Size	12' x 24' (3658 x 7315mm)

\* Rise is measured from floor to top of pad at full cylinder stroke  
Rise dimensions increase by 3" with extended rise options  
NO PAD: 74" 1 1/2" PAD: 75 1/2" 3" PAD: 77"

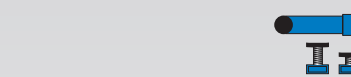
\*\* Overall heights and widths reflect standard settings. Alternate settings may be available, refer to Installation Instruction Manual or consult factory for details.

\*\*\*Optional 3-phase electrical available



Standard color of lifts are blue and red unless otherwise noted. Gray and black are available at no additional charge. Additional colors are available, consult your Rotary® representative for details.

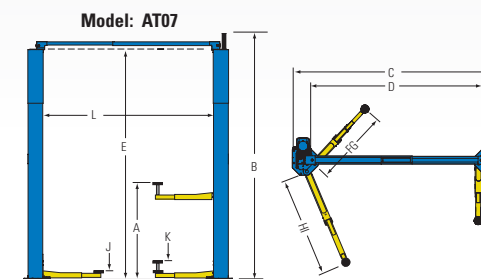
- RAL5005
- RAL7040
- RAL3002
- RAL9005



Model:	AT07
Capacity	7000 lbs (3175kg)
A. Rise*	73 7/8" (1877mm)
B. Height Overall	11' 10 7/8" (3627mm)
C. Width Overall	10' 2 7/8" (3120mm)
D. Drive-Thru Clearance	92" (2336mm)
E. Floor To Overhead Switch	134 3/8" (3414mm)
F. Reach (front arm min.)	21 1/8" (360mm)
G. Reach (front arm max.)	43 1/2" (1105mm)
H. Reach (rear arm min.)	32 15/16" (837mm)
I. Reach (rear arm max.)	58" (1473mm)
J. Min. Adapter Height	3 5/8" (92mm)
K. Max Adapter Height	5 7/8" (149mm)
L. Inside Columns	100 3/4" (2560mm)
Motor	2HP
Voltage**	1PH/60HZ/208-230V
Time of Full Rise	45 seconds
Ceiling Height Required	12' (3660mm)
Stackable adapters (4)	3 1/2" (90mm)
Stackable adapters (4)	5 1/8" (130mm)
Min bay size	11' x 24' (3353 x 7315mm)

\* Rise measures highest position of the supplied adapters from floor to full cylinder stroke

\*\* Optional 3-phase electric available



AT07 is available in blue only.

RAL5005